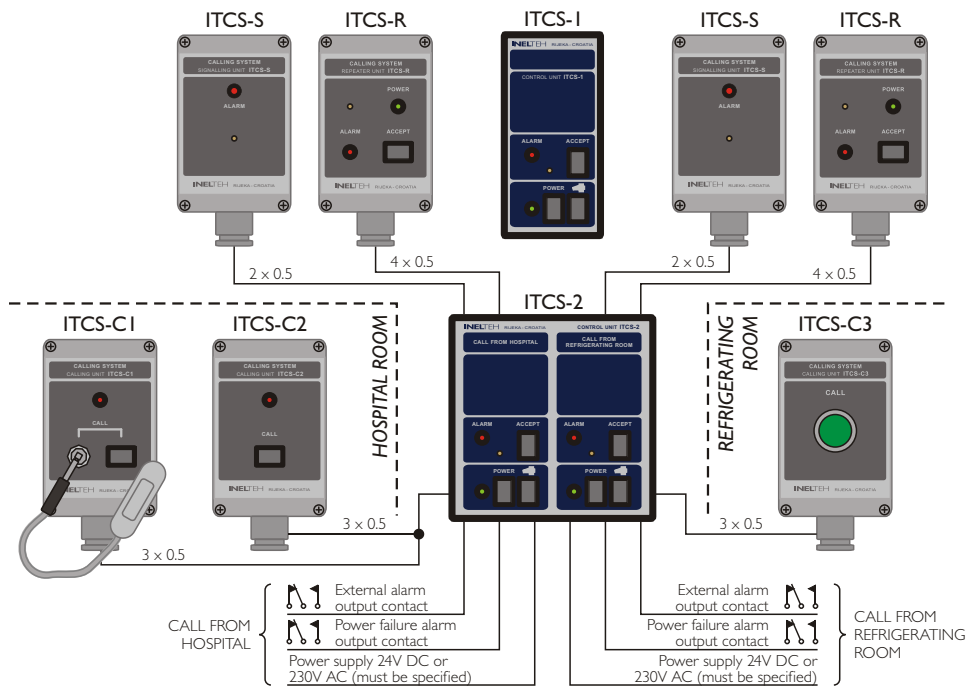


CALLING SYSTEM ITCS, ITCS-A

Calling system is designed for using on board ships, primary for calling from hospital and/or refrigerating room, but it can be used for any type of call. There are two types of calling system: **ITCS** and **ITCS-A**. Main difference between them is in alarm acceptance. In **ITCS** system "ACCEPT" push button (on control or repeater unit) also resets call. That means all audio and visual signalization goes off and system is ready to proceed new call. In **ITCS-A** system, call accept and call reset are separated - with "ACCEPT" push button, audio signalization goes off, but visual signalization remains, until "RESET" push button (situated on the place from where call was done) is pressed. That feature insures that alarm will be present and visible until someone checks why and from where the call was done. Versions for signaling calls from more places are available (types ITCS-1A-5, ITCS-1A-10 and ITCS-1A-15). For more information see separate leaflet.

CALLING SYSTEM type ITCS

(WITH ALARM ACCEPTANCE ON THE CONTROL/REPEATER UNIT)



Calling system type ITCS is realised using control unit type **ITCS-1** (single) or **ITCS-2** (double) and arbitrarily number of calling units type **ITCS-C1**, **ITCS-C2** and/or **ITCS-C3**. System can be additionally equipped with signaling units type **ITCS-S** and repeater units for call acceptance type **ITCS-R**.

PRINCIPLE OF OPERATION

By operating "POWER" switch on the control unit ITCS-1 (ITCS-2), power supply is turned on. Pressing push button "CALL" situated on the calling unit ITCS-C1, ITCS-C2 or ITCS-C3, call starts. Audio and visual alarm is on. Pressing the "ACCEPT" button on the control unit ITCS-1 (ITCS-2) or repeater unit ITCS-R call is accepted and reset. Audio and visual signalization is switched off and system is ready to proceed new call.

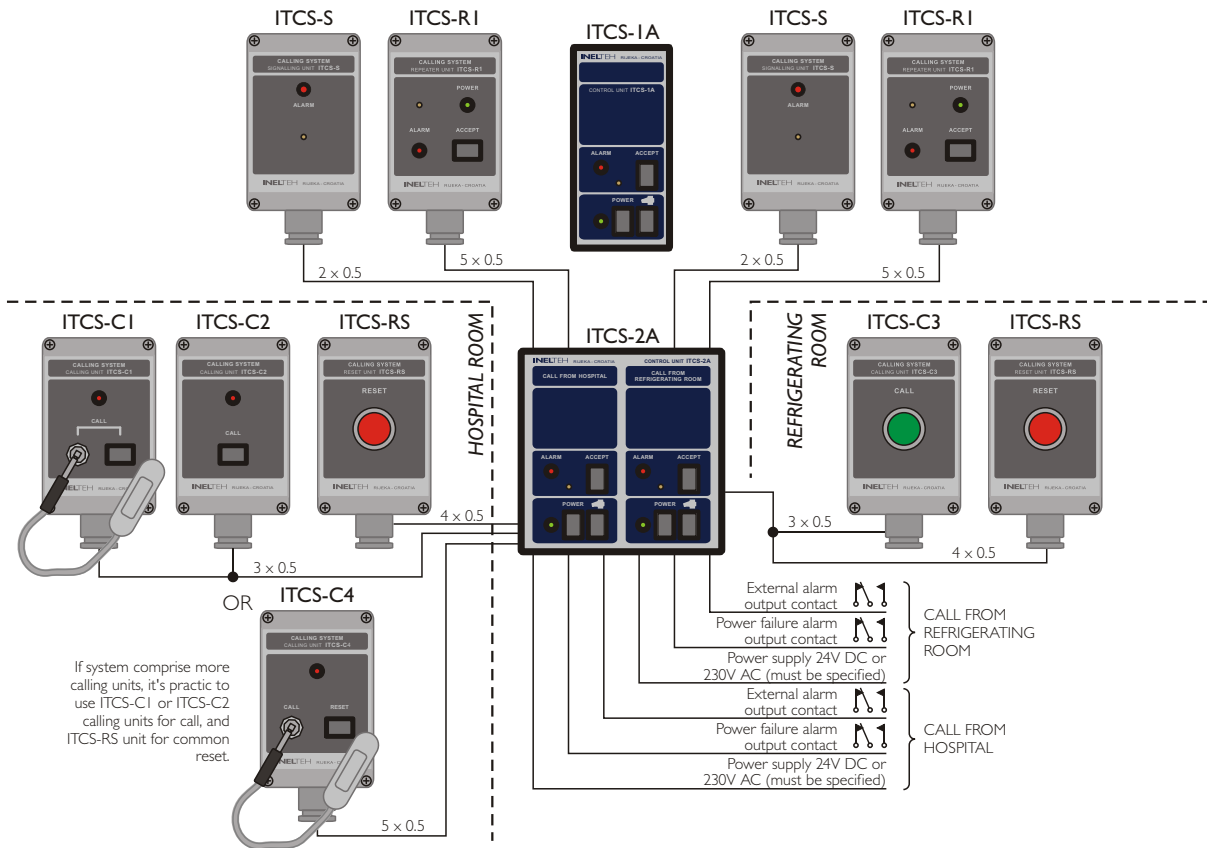
TECHNICAL CHARACTERISTICS

- Power supply: 230V AC or 24V DC (must be specified during ordering)
- Consumption:
 - Control unit ITCS-1 cca 3W
 - Control unit ITCS-2 cca 6W
 - Repeater unit ITCS-R cca 1W
 - Signaling unit ITCS-S cca 0,8W
 - Calling unit ITCS-C1, ITCS-C2 cca 0,3W
 - Calling unit ITCS-C3 cca 0,4W
- Control unit for single ("CALL from HOSPITAL", "CALL from REFRIGERATING ROOM") or double call ("CALL from HOSPITAL and REFRIGERATING ROOM")
- C.O. voltage-free contact (125V/3A) for EXTERNAL ALARM
- C.O. voltage-free contact (125V/3A) for POWER FAILURE ALARM
- Red LE diode and buzzer for call indication
- Calling unit ITCS-C1 with push button on cable suitable for using near hospital's bed
- Water resistant (IP 56 protection) calling unit ITCS-C3 suitable for using in refrigerating space
- Illuminated push button on calling unit ITCS-C3 insures visibility in dark spaces

CALLING SYSTEM type ITCS-A

(WITH ALARM ACCEPTANCE ON THE PLACE OF CALL)

For versions ITCS-1A-5, ITCS-1A-10 and ITCS-1A-15 see separate leaflet.



Calling system type ITCS-A is realised using control unit type ITCS-1A (single) or ITCS-2A (double), arbitrarily number of calling units type ITCS-C1, ITCS-C2, ITCS-C3 and/or ITCS-C4 and reset unit type ITCS-RS. If calling unit type ITCS-C4 is used, it comprises also the call reset function, so there is no need for further reset units. System can be additionally equipped with signaling units type ITCS-S and repeater units type ITCS-R1.

PRINCIPLE OF OPERATION

By operating "POWER" switch on the control unit ITCS-1A (ITCS-2A), power supply is turned on. Pressing push button "CALL" situated on the calling unit ITCS-C1, ITCS-C2, ITCS-C3 or ITCS-C4, call starts. Audio and visual alarm is on. Pressing the "ACCEPT" button on the control unit ITCS-1A (ITCS-2A) or repeater unit ITCS-R1 call is accepted. Audio alarm goes off, but visual signalization remains until the call is reset by push button "RESET", on ITCS-RS or ITCS-C4 (situated on the place from where call was done). This feature insures that alarm will be present and visible until someone checks why and from where the call is done.

TECHNICAL CHARACTERISTICS

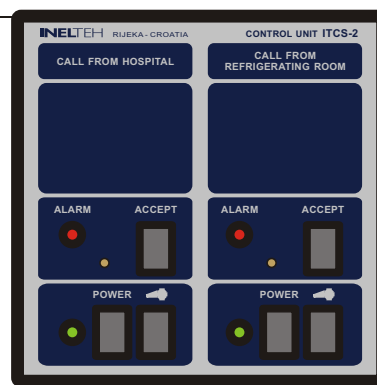
- Power supply: 230V AC or 24V DC (must be specified during ordering)
- Consumption:

Control unit ITCS-1A	cca 3W
Control unit ITCS-2A	cca 6W
Repeater unit ITCS-R1	cca 1W
Signaling unit ITCS-S	cca 0,8W
Calling unit ITCS-C1, ITCS-C2	cca 0,3W
Calling unit ITCS-C3	cca 0,4W
Calling unit ITCS-C4	cca 0,3W
Reset unit ITCS-RS	cca 0,4W
- Control unit for single ("CALL from HOSPITAL", "CALL from REFRIGERATING ROOM") or double call ("CALL from HOSPITAL and REFRIGERATING ROOM")
- C.O. voltage-free contact (125V/3A) for EXTERNAL ALARM
- C.O. voltage-free contact (125V/3A) for POWER FAILURE ALARM
- Red LE diode and buzzer for call indication
- Calling units ITCS-C1 and ITCS-C4 with push button on cable suitable for using near hospital's bed
- Water resistant (IP 56 protection) calling unit ITCS-C3 and reset unit ITCS-RS suitable for using in refrigerating space
- Illuminated push button on calling unit ITCS-C3 insures visibility in dark spaces



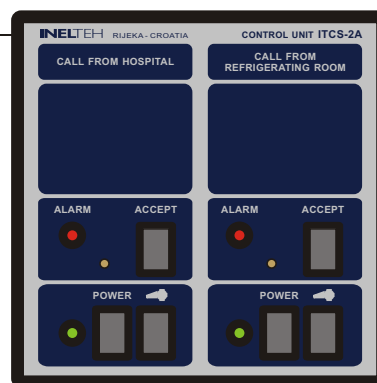
ITCS-1, ITCS-2

- Control unit for indication and acceptance of call, used in calling system type ITCS
- ITCS-1 for single call; ITCS-2 for double call (same functions but doubled, electrically completely separated)
- Call is indicated by buzzer and red "ALARM" LE diode
- "POWER" switch to turn on/off supply of whole system
- Power ON is indicated by green LE diode
- "DIMMER" switch to reduce intensity of green LE diode
- "ACCEPT" push button for call acceptance (completely resets call)
- Relays for external and power failure alarm
- Flush mounting (bulkhead on request)
- Weight: ITCS-1: 0.35kg (24V); 0.94kg (230V)
ITCS-2: 0.64kg (24V); 1.86kg (230V)



ITCS-1A, ITCS-2A

- Control unit for indication and acceptance of call, used in calling system type ITCS-A
- ITCS-1A for single call; ITCS-2A for double call (same functions but doubled, electrically completely separated)
- Call is indicated by buzzer and red "ALARM" LE diode
- "POWER" switch to turn on/off supply of whole system
- Power ON is indicated by green LE diode
- "DIMMER" switch to reduce intensity of green LE diode
- "ACCEPT" push button for audio alarm acceptance - visual signalization remains until call is reset on ITCS-RS or ITCS-C4
- Relays for external and power failure alarm
- Flush mounting (bulkhead on request)
- Weight: ITCS-1A: 0.35kg (24V); 0.94kg (230V)
ITCS-2A: 0.64kg (24V); 1.86kg (230V)

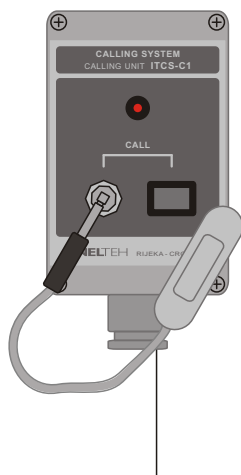


ITCS-R

- Repeater unit for indication and acceptance of call, used with ITCS-1 or ITCS-2 only
- Call is indicated by buzzer and red "ALARM" LE diode
- Power ON is indicated by green LE diode
- "ACCEPT" push button for call acceptance (completely resets call)
- Bulkhead mounting (flush on request)
- Weight: 0.26kg

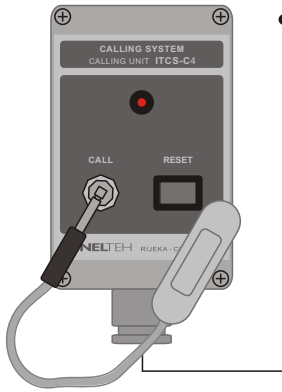
ITCS-R1

- Repeater unit for indication and acceptance of call, used with ITCS-1A or ITCS-2A only
- Call is indicated by buzzer and red "ALARM" LE diode
- Power ON is indicated by green LE diode
- "ACCEPT" push button for audio alarm acceptance - visual signalization remains until call is reset on ITCS-RS or ITCS-C4
- Bulkhead mounting (flush on request)
- Weight: 0.26kg



ITCS-C1, ITCS-C2

- Calling unit, used in ITCS and/or ITCS-A calling system
- Push button "CALL" for calling
- ITCS-C1 with additional push button on cable suitable for using near hospital's bed; ITCS-C2 (same functions but without push button on cable)
- Call is indicated by red LE diode (it lights until call is accepted and completely reset)
- Bulkhead mounting (flush on request)
- Weight: ITCS-C1: 0.34kg
ITCS-C2: 0.21kg

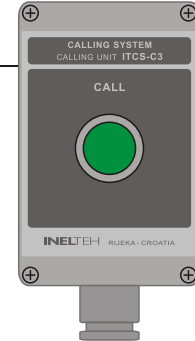


ITCS-C4

- Unit for calling and call reset, used in ITCS-A calling system
- Push button on cable for call (suitable for using near hospital's bed)
- Call is indicated by red LE diode
- "RESET" push button for call reset (completely resets all audio and visual signalization in system)
- Bulkhead mounting (flush on request)
- Weight: 0.34kg

ITCS-C3

- Calling unit, used in ITCS and/or ITCS-A calling system
- Water resistant (IP 56) illuminated push button for calling
- Green bulb in push button lights all the time (when system is on), to insure visibility in dark spaces
- Bulkhead mounting (flush on request)
- Weight: 0.23kg



ITCS-RS

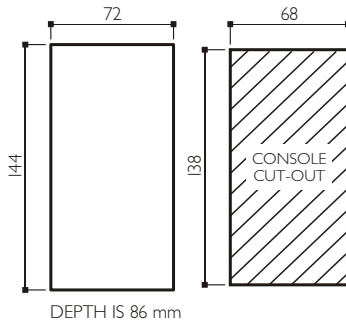
- Reset unit, used in ITCS-A calling system
- Water resistant (IP 56) illuminated push button for call reset (completely resets all audio and visual signalization in system)
- Used in combination with ITCS-C3 calling unit, in system for call from refrigerating room
- Can be used for common reset as a part of hospital calling system (in case when ITCS-C1 and/or ITCS-C2 calling units are used)
- Red bulb in push button lights when call is done, until call is reset
- Bulkhead mounting (flush on request)
- Weight: 0.23kg

ITCS-S

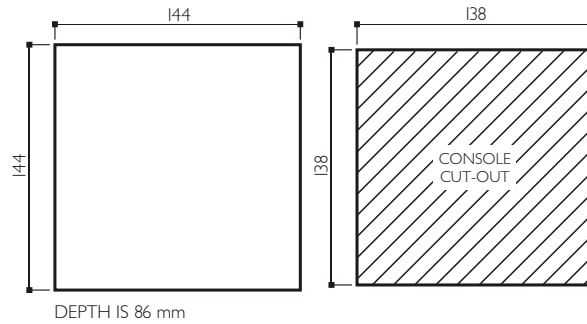
- Signaling unit for indication of call, used in ITCS and/or ITCS-A calling system
- Call is indicated by buzzer and red "ALARM" LE diode
- Both, audio and visual alarm are present until call is accepted and completely reset
- Bulkhead mounting (flush on request)
- Weight: 0.24kg



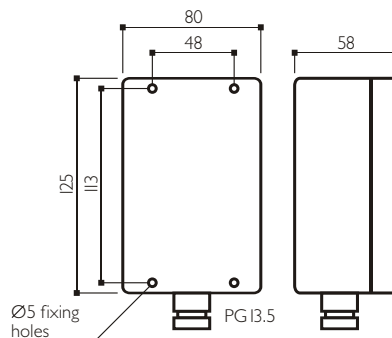
ITCS-I, ITCS-1A (flush mounting)



ITCS-2, ITCS-2A (flush mounting)



ITCS-R, ITCS-R1, ITCS-S, ITCS-RS
ITCS-C1, ITCS-C2, ITCS-C3, ITCS-C4



All dimensions are in mm.